



SANYO Semiconductors
DATA SHEET

LC87F74C8A

CMOS IC
FROM 128K-byte, RAM 4096-byte on chip
8-bit 1-chip Microcontroller

Overview

The LC87F74C8A is an 8-bit single chip microcontroller with the following on-chip functional blocks :

- CPU : operable at a minimum bus cycle time of 100ns
- 128K-bytes flash ROM (on-board rewritable)
- On-chip RAM : 4096-bytes
- LCD controller/driver
- Two high performance 16-bit timer/counters (can be divided into 8-bit units)
- 16-bit timer/PWM (can be divided into two 8-bit timers)
- Four 8-bit timer with prescalers
- Timer for use as date/time clock
- Synchronous serial I/O port (with automatic block transmit/receive function)
- Asynchronous/synchronous serial I/O port
- 15-channel × 8-bit AD converter
- High-speed clock counter
- System clock divider
- Small signal detector
- 20-source 10-vectored interrupt system

All of the above functions are fabricated on a single chip.

Features

■Flash ROM

- Single 5V power supply, on-board writable
- Block erase in 128-byte units
- 131072 × 8-bits (LC87F74C8A)

■Random access memory (RAM)

- 4096 × 9-bits (LC87F74C8A)

■Minimum bus cycle time

- 100ns (10MHz)

Note : The bus cycle time indicates ROM read time.

■ Any and all SANYO products described or contained herein do not have specifications that can handle applications that require extremely high levels of reliability, such as life-support systems, aircraft's control systems, or other applications whose failure can be reasonably expected to result in serious physical and/or material damage. Consult with your SANYO representative nearest you before using any SANYO products described or contained herein in such applications.

■ SANYO assumes no responsibility for equipment failures that result from using products at values that exceed, even momentarily, rated values (such as maximum ratings, operating condition ranges, or other parameters) listed in products specifications of any and all SANYO products described or contained herein.

LC87F74C8A

■ Minimum instruction cycle time

- 300ns (10MHz)

■ Ports

• Input/output ports

Data direction programmable for each bit individually : 26 (P1n, P30 to P35, P70 to P73, P8n)

Data direction programmable in nibble units : 8 (P0n)

(When N-channel open drain output is selected, data can be input in bit units.)

• Input ports : 2 (XT1, XT2)

• LCD ports

Segment output : 48 (S00 to S47)

Common output : 4 (COM0 to COM3)

Bias terminals for LCD driver : 3 (V1 to V3)

Other functions

Input/output ports : 48 (PAn, PBn, PDn, PEn, PFn)

Input ports : 7 (PLn)

• Oscillator pins : 2 (CF1, CF2)

• Reset pin : 1 (RES)

• Power supply : 6 (VSS1 to 3, VDD1 to 3)

■ LCD controller

- Seven display modes are available (static, 1/2, 1/3, 1/4 duty × 1/2, 1/3 bias)
- Segment output and common output can be switched to general purpose input/output ports.

■ Small signal detection (MIC signals etc)

- Counts pulses with the level which is greater than a preset value
- 2-bit counter

■ Timer

• Timer 0 : 16-bit timer/counter with capture register

Mode 0 : 2-channel 8-bit timer with programmable 8-bit prescaler and 8-bit capture register

Mode 1 : 8-bit timer with 8-bit programmable prescaler and 8-bit capture register + 8-bit Counter with 8-bit capture register

Mode 2 : 16-bit timer with 8-bit programmable prescaler and 16-bit capture register

Mode 3 : 16-bit counter with 16-bit capture register

• Timer 1 : PWM/16-bit timer/counter with toggle output function

Mode 0 : 2-channel 8-bit timer/counter (with toggle output)

Mode 1 : 2-channel 8-bit PWM

Mode 2 : 16-bit timer/counter (with toggle output) Toggle output from lower 8-bits is also possible.

Mode 3 : 16-bit timer (with toggle output) Lower order 8-bits can be used as PWM.

• Timer 4 : 8-bit timer with 6-bit prescaler

• Timer 5 : 8-bit timer with 6-bit prescaler

• Timer 6 : 8-bit timer with 6-bit prescaler

• Timer 7 : 8-bit timer with 6-bit prescaler

• Base Timer

1. The clock signal can be selected from any of the following :

Sub-clock (32.768kHz crystal oscillator), system clock, and prescaler output from timer 0

2. Interrupts of five different time intervals are possible.

■ High speed clock counter

- Countable up to 20MHz clock (when using 10MHz main clock)
- Real time output

LC87F74C8A

■Serial interface

- SIO0 : 8-bit synchronous serial interface
 1. LSB first/MSB first is selectable
 2. Internal 8-bit baud-rate generator (fastest clock period 4/3 tCYC)
 3. Consecutive automatic data communication (1 to 256-bits)
- SIO1 : 8-bit asynchronous/synchronous serial interface
 - Mode 0 : Synchronous 8-bit serial I_O (2-wire or 3-wire, transmit clock 2 to 512 tCYC)
 - Mode 1 : Asynchronous serial I_O (half duplex, 8 data bits, 1 stop bit, baud rate 8 to 2048 tCYC)
 - Mode 2 : Bus mode 1 (start bit, 8 data bits, transmit clock 2 to 512 tCYC)
 - Mode 3 : Bus mode 2 (start detection, 8 data bits, stop detection)

■AD converter

- 8-bits × 15-channels

■Remote control receiver circuit (connected to P73/INT3/T0IN terminal)

- Noise rejection function (noise rejection filter's time constant can be selected from 1/32/128 tCYC)

■Watchdog timer

- The watching time period is determined by an external RC.
- Watchdog timer can produce interrupt or system reset

■Interrupts : 18 sources, 10 vectors

1. Three priority (low, high and highest) multiple interrupts are supported.
During interrupt handling, an equal or lower priority interrupt request is postponed.
2. If interrupt requests to two or more vector addresses occur at once, the higher priority interrupt takes precedence. In the case of equal priority levels, the vector with the lowest address takes precedence.

No.	Vector	Selectable Level	Interrupt Signal
1	00003H	X or L	INT0
2	0000BH	X or L	INT1
3	00013H	H or L	INT2/T0L/INT4
4	0001BH	H or L	INT3/Base timer/INT5
5	00023H	H or L	T0H
6	0002BH	H or L	T1L/T1H
7	00033H	H or L	SIO0
8	0003BH	H or L	SIO1
9	00043H	H or L	ADC/MIC/T6/T7
10	0004BH	H or L	Port 0/T4/T5

- Priority Level : X>H>L
- For equal priority levels, vector with lowest address takes precedence.

■Subroutine stack levels : 2048 levels max. Stack is located in RAM.

■Multiplication and division

- 16-bit × 8-bit (executed in 5 cycles)
- 24-bit × 16-bit (12 cycles)
- 16-bit ÷ 8-bit (8 cycles)
- 24-bit ÷ 16-bit (12 cycles)

■Oscillation circuits

- On-chip RC oscillation for system clock use.
- CF oscillation for system clock use. (Rf built in, Rd external)
- Crystal oscillation low speed system clock use. (Rf built in, Rd external)
- On-chip frequency variable RC oscillation circuit for system clock use.

LC87F74C8A

■ System clock divider

- Low power consumption operation is available
- Minimum instruction cycle time (300ns, 600ns, 1.2μs, 2.4μs, 4.8μs, 9.6μs, 19.2μs, 38.4μs, 76.8μs can be switched by program (when using 10MHz main clock)

■ Standby function

• HALT mode

HALT mode is used to reduce power consumption. During the HALT mode, program execution is stopped but peripheral circuits keep operating (some parts of serial transfer operation stop.)

1. Oscillation circuits are not stopped automatically.
2. Released by the system reset or interrupts.

• HOLD mode

HOLD mode is used to reduce power consumption. Program execution and peripheral circuits are stopped.

1. CF, RC and crystal oscillation circuits stop automatically.
2. Released by any of the following conditions.
 1. Low level input to the reset pin
 2. Specified level input to one of INT0, INT1, INT2, INT4, INT5
 3. Port 0 interrupt

• X'tal HOLD mode

X'tal HOLD mode is used to reduce power consumption. Program execution is stopped.

All peripheral circuits except the base timer are stopped.

1. CF and RC oscillation circuits stop automatically.
2. Crystal oscillator operation is kept in its state at HOLD mode inception.
3. Released by any of the following conditions
 1. Low level input to the reset pin
 2. Specified level input to one of INT0, INT1, INT2, INT4, INT5
 3. Port 0 interrupt
 4. Base-timer interrupt

■ Package

- QIP100E
- TQFP100

■ Development tools

- Evaluation chip : LC876093
- Emulator : EVA62S + ECB876600 (Evaluation chip board) + SUB877400 +
POD100QFP or POD100SQFP (Type B)
: ICE-B877300 + SUB877400 + POD100QFP or POD100SQFP (Type B)
- Flash ROM write adapter : W87FQ100 or W87FSQ100

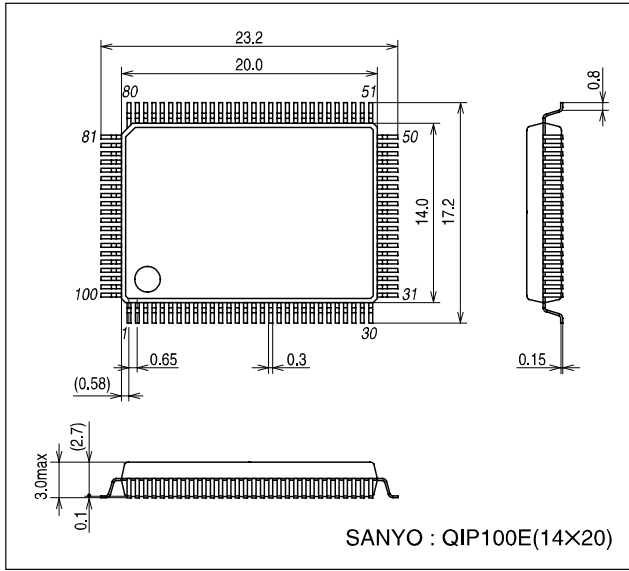
■ Same package and pin assignment as mask ROM version.

1. LC877400 series options can be set using flash ROM data.
Thus the board used for mass production can be used for debugging and evaluation without modifications.
2. If the program for the mask ROM version is used, the usable ROM/RAM capacity is the same as the mask ROM version.

LC87F74C8A

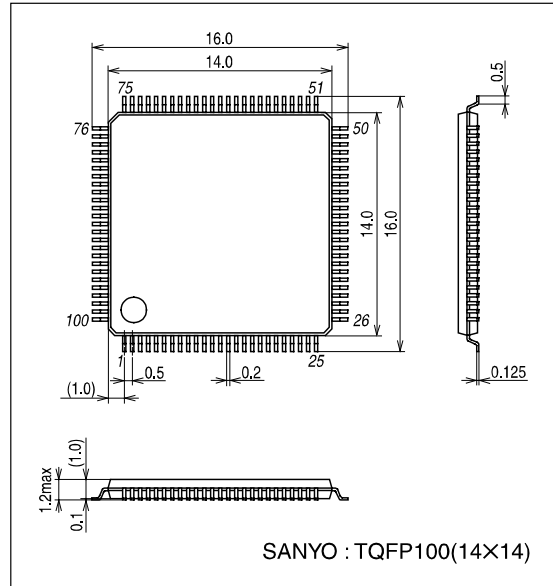
Package Dimensions

unit : mm
3151A

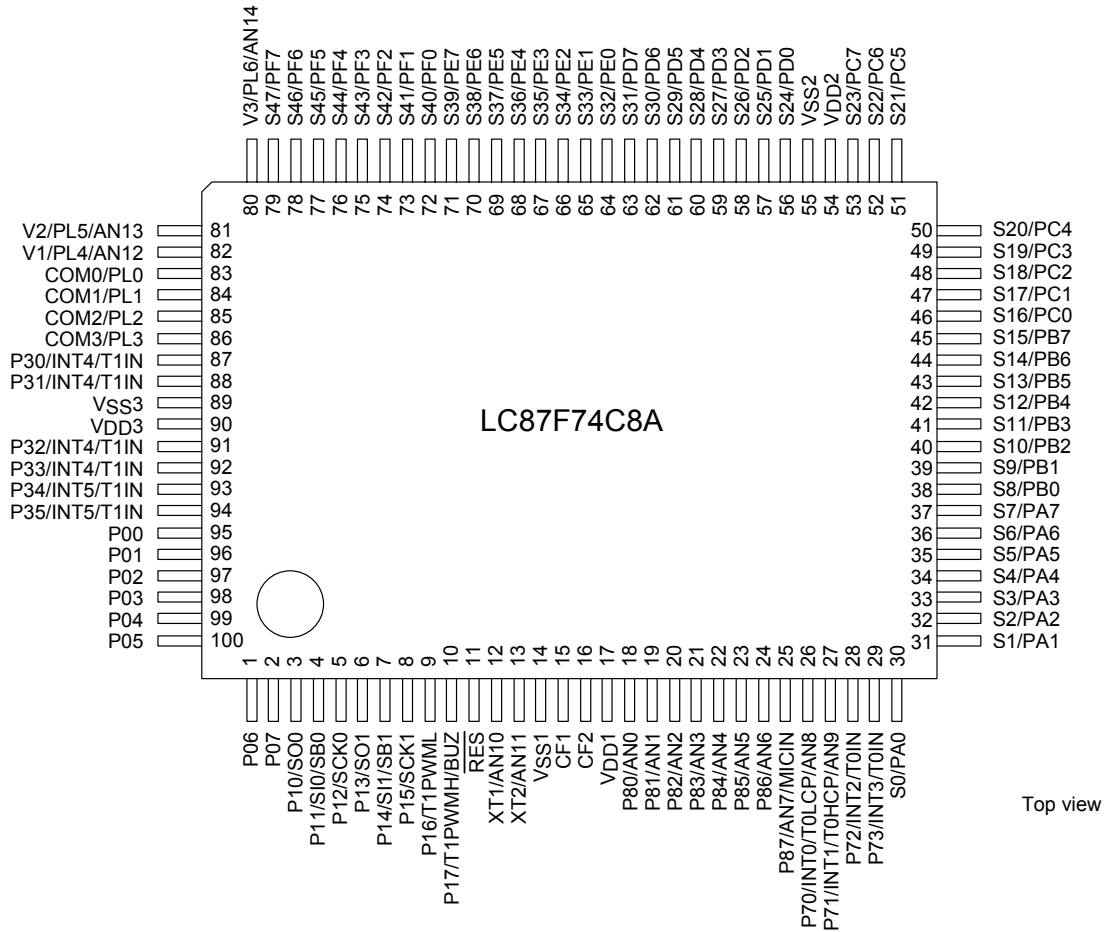


Package Dimensions

unit : mm
3274

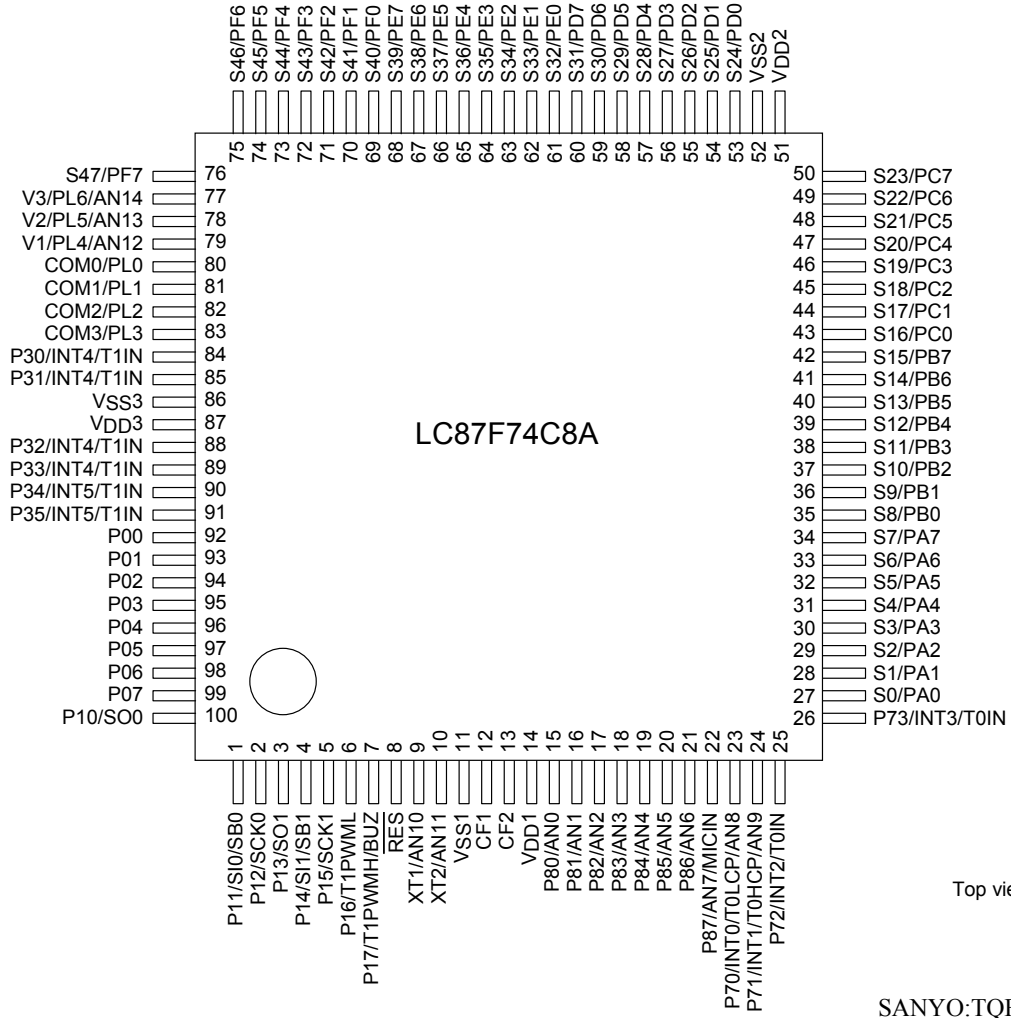


Pin Assignment



SANYO:QIP100E

LC87F74C8A

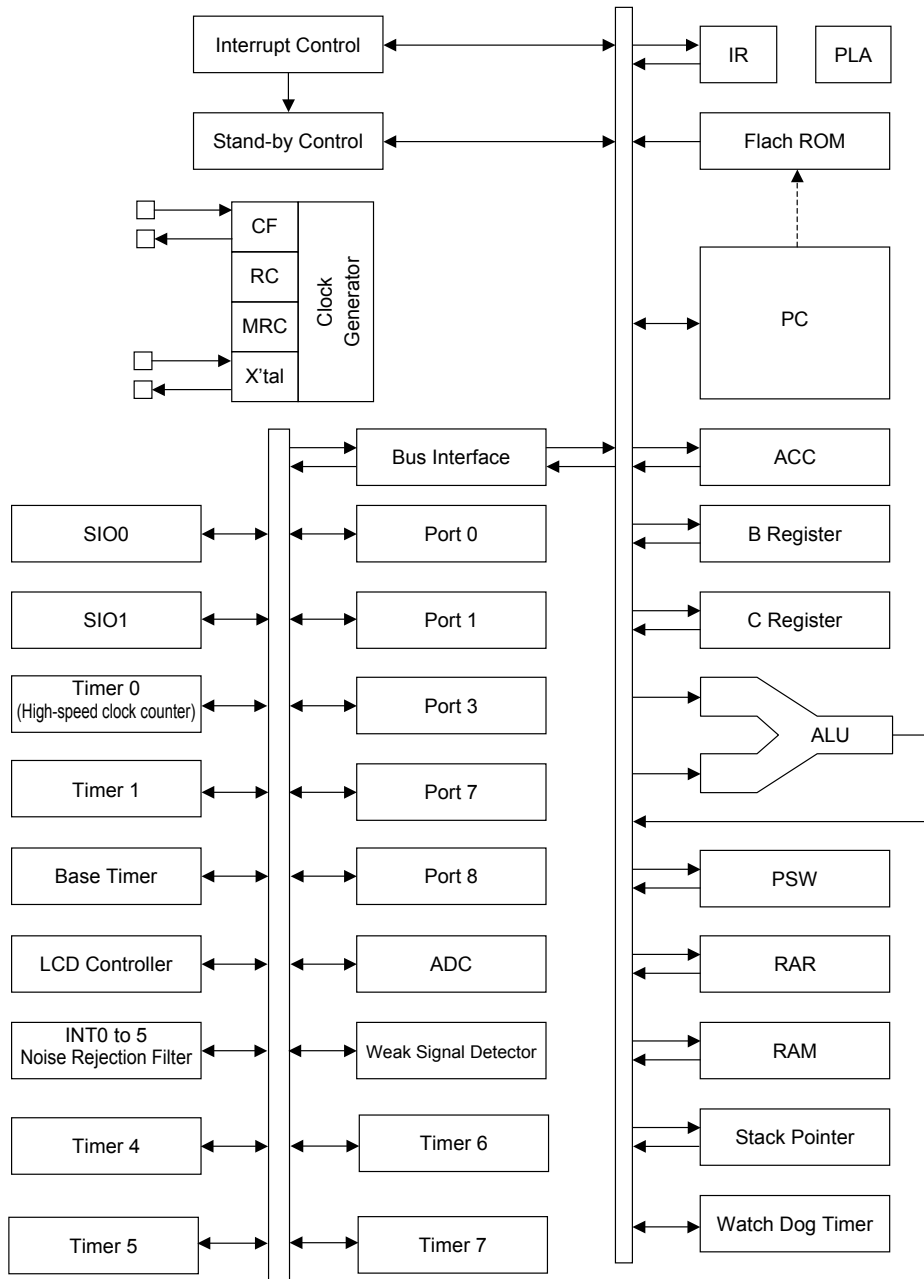


Top view

SANYO:TQFP100

LC87F74C8A

System Block Diagram



LC87F74C8A

Pin Description

Pin name	I/O	Function	Option																														
V _{SS} 1, V _{SS} 2, V _{SS} 3	-	Power supply (-)	No																														
V _{DD} 1, V _{DD} 2, V _{DD} 3	-	Power supply (+)	No																														
Port 0 P00 to P07	I/O	<ul style="list-style-type: none"> 8-bit input/output port Data direction programmable in nibble units Use of pull-up resistor can be specified in nibble units Input for HOLD release Input for port 0 interrupt 	Yes																														
Port 1 P10 to P17	I/O	<ul style="list-style-type: none"> 8-bit input/output port Data direction programmable for each bit Use of pull-up resistor can be specified for each bit individually Other pin functions P10 : SIO0 data output P11 : SIO0 data input or bus input/output P12 : SIO0 clock input/output P13 : SIO1 data output P14 : SIO1 data input or bus input/output P15 : SIO1 clock input/output P16 : Timer 1 PWML output P17 : Timer 1 PWMH output/Buzzer output 	Yes																														
Port 3 P30 to P35	I/O	<ul style="list-style-type: none"> 6-bit input/output port Data direction can be specified for each bit Use of pull-up resistor can be specified for each bit individually Other functions P30 to p33 : INT4 input/HOLD release input/timer 1 event input Timer 0L capture input/Timer 0H capture input P34 to P35 : INT5 input/HOLD release input/timer 1 event input Timer 0L capture input/Timer 0H capture input Interrupt detection selection <table border="1" style="margin-left: 20px;"> <thead> <tr> <th></th> <th>Rising</th> <th>Falling</th> <th>Rising and falling</th> <th>H level</th> <th>L level</th> </tr> </thead> <tbody> <tr> <td>INT4</td> <td>Yes</td> <td>Yes</td> <td>Yes</td> <td>No</td> <td>No</td> </tr> <tr> <td>INT5</td> <td>Yes</td> <td>Yes</td> <td>Yes</td> <td>No</td> <td>No</td> </tr> </tbody> </table>		Rising	Falling	Rising and falling	H level	L level	INT4	Yes	Yes	Yes	No	No	INT5	Yes	Yes	Yes	No	No	Yes												
	Rising	Falling	Rising and falling	H level	L level																												
INT4	Yes	Yes	Yes	No	No																												
INT5	Yes	Yes	Yes	No	No																												
Port 7 P70 to P73	I/O	<ul style="list-style-type: none"> 4-bit input/output port Data direction can be specified for each bit Use of pull-up resistor can be specified for each bit individually Other functions P70 : INT0 input/HOLD release input/Timer 0L capture input/output for watchdog timer P71 : INT1 input/HOLD release input/Timer 0H capture input P72 : INT2 input/HOLD release input/timer 0 event input/Timer 0L capture input P73 : INT3 input (noise rejection filter attached) /timer 0 event input/Timer 0H capture input AD input port : AN8 (P70), AN9 (P71) Interrupt detection selection <table border="1" style="margin-left: 20px;"> <thead> <tr> <th></th> <th>Rising</th> <th>Falling</th> <th>Rising and falling</th> <th>H level</th> <th>L level</th> </tr> </thead> <tbody> <tr> <td>INT0</td> <td>Yes</td> <td>Yes</td> <td>No</td> <td>Yes</td> <td>Yes</td> </tr> <tr> <td>INT1</td> <td>Yes</td> <td>Yes</td> <td>No</td> <td>Yes</td> <td>Yes</td> </tr> <tr> <td>INT2</td> <td>Yes</td> <td>Yes</td> <td>Yes</td> <td>No</td> <td>No</td> </tr> <tr> <td>INT3</td> <td>Yes</td> <td>Yes</td> <td>Yes</td> <td>No</td> <td>No</td> </tr> </tbody> </table>		Rising	Falling	Rising and falling	H level	L level	INT0	Yes	Yes	No	Yes	Yes	INT1	Yes	Yes	No	Yes	Yes	INT2	Yes	Yes	Yes	No	No	INT3	Yes	Yes	Yes	No	No	No
	Rising	Falling	Rising and falling	H level	L level																												
INT0	Yes	Yes	No	Yes	Yes																												
INT1	Yes	Yes	No	Yes	Yes																												
INT2	Yes	Yes	Yes	No	No																												
INT3	Yes	Yes	Yes	No	No																												
Port 8 P80 to P87	I/O	<ul style="list-style-type: none"> 8-bit input/output port Input/output can be specified for each bit individually Other functions : AD input port : AN0 to AN7 Small signal detector input port : MICIN (P87) 	No																														
S0/PA0 to S7/PA7	I/O	<ul style="list-style-type: none"> Segment output for LCD Can be used as general purpose input/output port (PA) 	No																														
S8/PB0 to S15/PB7	I/O	<ul style="list-style-type: none"> Segment output for LCD Can be used as general purpose input/output port (PB) 	No																														
S16/PC0 to S23/PC7	I/O	<ul style="list-style-type: none"> Segment output for LCD Can be used as general purpose input/output port (PC) 	No																														

Continued on next page.

LC87F74C8A

Continued from preceding page.

Pin name	I/O	Function	Option
S24/PD0 to S31/PD7	I/O	<ul style="list-style-type: none"> Segment output for LCD Can be used as general purpose input/output port (PD) 	No
S32/PE0 to S39/PE7	I/O	<ul style="list-style-type: none"> Segment output for LCD Can be used as general purpose input/output port (PE) 	No
S40/PF0 to S47/PF7	I/O	<ul style="list-style-type: none"> Segment output for LCD Can be used as general purpose input/output port (PF) 	No
COM0/PL0 to COM3/PL3	I/O	<ul style="list-style-type: none"> Common output for LCD Can be used as general purpose input port (PL) 	No
V1/PL4 to V3/PL6	I/O	<ul style="list-style-type: none"> LCD output bias power supply Can be used as general purpose input port (PL) Other functions : AD input ports : AN12 to AN14 	No
RES	I	Reset terminal	No
XT1	I	<ul style="list-style-type: none"> Input for 32.768kHz crystal oscillation Other functions : General purpose input port AD input port : AN10 When not in use, connect to V_{DD1} 	No
XT2	I/O	<ul style="list-style-type: none"> Output for 32.768kHz crystal oscillation Other functions : General purpose input port AD input port : AN11 When not in use, set to oscillation mode and leave open 	No
CF1	I	Input terminal for ceramic oscillator	No
CF2	O	Output terminal for ceramic oscillator	No

Port output Configuration

Port form and pull-up resistor options are shown in the following table.

Port status can be read even when port is set to output mode.

Terminal	Option applies to :	Option	Output format	Pull-up resistor
P00 to P07	each bit	1	CMOS	Programmable (Note 1)
		2	Nch-open drain	None
P10 to P17	each bit	1	CMOS	Programmable
		2	Nch-open drain	Programmable
P30 to P35	each bit	1	CMOS	Programmable
		2	Nch-open drain	None
P70	–	None	Nch-open drain	Programmable
P71 to P73	–	None	CMOS	Programmable
P80 to P87	–	None	Nch-open drain	None
S0/PA0 to S47/PF7	–	None	CMOS	Programmable
COM0/PL0 to COM3/PL3	–	None	Input only	None
V1/PL4 to V3/PL6	–	None	Input only	None
XT1	–	None	Input only	None
XT2	–	None	Output for 32.768kHz crystal oscillation	None

Note 1 : Attachment of Port 0 programmable pull-up resistors is controllable in nibble units (P00 to 03, P04 to 07).

* Note 1 : Connect as follows to reduce noise on V_{DD}.

V_{SS1}, V_{SS2} and V_{SS3} must be connected together and grounded.

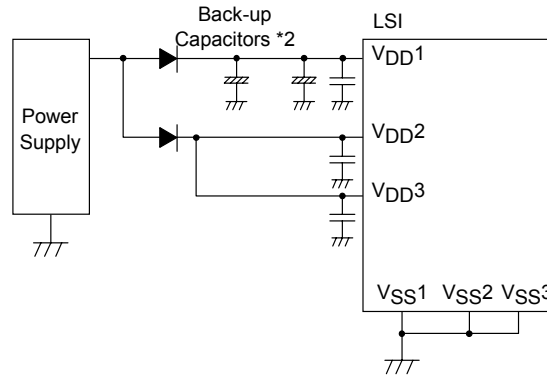
* Note 2 : The power supply for the internal memory is V_{DD1} but it uses the V_{DD2} as the power supply for ports.

When the V_{DD2} is not backed up, the port level does not become "H" even if the port latch is in the "H" level.

Therefore, when the V_{DD2} is not backed up and the port latch is "H" level, the port level is unstable in the HOLD mode, and the back up time becomes shorter because the through current runs from V_{DD} to GND in the input buffer.

If V_{DD2} is not backed up, output "L" by the program or pull the port to "L" by the external circuit in the HOLD mode so that the port level becomes "L" level and unnecessary current consumption is prevented.

LC87F74C8A



Absolute Maximum Ratings / $T_a = 25^\circ\text{C}$, $V_{SS1} = V_{SS2} = V_{SS3} = 0\text{V}$

Parameter	Symbol	Pins	Conditions	Limits					
				V_{DD} [V]	min	typ	max	unit	
Supply voltage	V_{DD} max	V_{DD1} , V_{DD2} , V_{DD3}	$V_{DD1} = V_{DD2} = V_{DD3}$		-0.3		+6.5	V	
Supply voltage for LCD	VLCD	V1/PL4, V2/PL5, V3/PL6	$V_{DD1} = V_{DD2} = V_{DD3}$		-0.3		V_{DD}		
Input voltage	V_I	Port L XT1, XT2, CF1, $\overline{\text{RES}}$			-0.3		$V_{DD}+0.3$		
Input/Output voltage	$V_{IO}(1)$	• Port 0, 1, 3, 7, 8 • Port A, B, C, D, E, F			-0.3		$V_{DD}+0.3$		
High level output current	Peak output current	IOPH(1)	Port 0, 1, 3	• CMOS output selected • Current at each pin		-10		mA	
		IOPH(2)	Port 71, 72, 73	Current at each pin		-3			
		IOPH(3)	Port A, B, C, D, E, F	Current at each pin		-5			
	Total output current	Σ IOAH(1)	Port 0, 1, 32 to 35	Total of all pins		-40			
		Σ IOAH(2)	Port 30, 31	Total of all pins		-10			
		Σ IOAH(3)	Port 7	Total of all pins		-5			
		Σ IOAH(4)	Port A, B, C	Total of all pins		-25			
Low level output current	Peak output current	IOPL(1)	Port 0, 1, 32 to 35	Current at each pin			20		
		IOPL(2)	Port 30, 31	Current at each pin			30		
		IOPL(3)	Port 7, 8	Current at each pin			5		
		IOPL(4)	Port A, B, C, D, E, F	Current at each pin			15		
	Total output current	Σ IOAL(1)	Port 0, 1, 32 to 35	Total of all pins				60	
		Σ IOAL(2)	Port 30, 31	Total of all pins				60	
		Σ IOAL(3)	Port 7, 8	Total of all pins				20	
		Σ IOAL(4)	Port A, B, C	Total of all pins				40	
		Σ IOAL(5)	Port D, E, F	Total of all pins				40	
Maximum power consumption	P_d max	QIP100E	$T_a = -20$ to $+70^\circ\text{C}$				559	mW	
		TQFP100					404		
Operating temperature range	T_{opr}				-20		70	$^\circ\text{C}$	
Storage temperature range	T_{stg}				-55		125		

LC87F74C8A

Recommended Operating Range / $T_a = -20^{\circ}\text{C}$ to $+70^{\circ}\text{C}$, $V_{SS1} = V_{SS2} = V_{SS3} = 0\text{V}$

Parameter	Symbol	Pins	Conditions	Limits				unit
				V_{DD} [V]	min	typ	max	
Operating supply voltage range	$V_{DD}(1)$	$V_{DD1} = V_{DD2} = V_{DD3}$	0.294 $\mu\text{s} \leq t_{CYC} \leq 200\mu\text{s}$		4.5		5.5	V
	$V_{DD}(2)$				3.0		5.5	
Supply voltage range in Hold mode	VHD	V_{DD1}	Keep RAM and register data in HOLD mode.		2.0		5.5	
Input high voltage	$V_{IH}(1)$	• Port 0, 3, 8 • Port A, B, C, D, E, F, L	Output disable	3.0 to 5.5	$0.3V_{DD} + 0.7$		V_{DD}	
	$V_{IH}(2)$	• Port 1 • Port 71, 72, 73 • P70 port input/interrupt	Output disable	3.0 to 5.5	$0.3V_{DD} + 0.7$		V_{DD}	
	$V_{IH}(3)$	P87 small signal input	Output disable	3.0 to 5.5	$0.75V_{DD}$		V_{DD}	
	$V_{IH}(4)$	Port 70 Watchdog timer	Output disable	3.0 to 5.5	$0.9V_{DD}$		V_{DD}	
	$V_{IH}(5)$	XT1, XT2, CF1, $\overline{\text{RES}}$		3.0 to 5.5	$0.75V_{DD}$		V_{DD}	
Input low voltage	$V_{IL}(1)$	• Port 0, 3, 8 • Port A, B, C, D, E, F, L	Output disable	3.0 to 5.5	V_{SS}		$0.15V_{DD} + 0.4$	
	$V_{IL}(2)$	• Port 1 • Port 71, 72, 73 • P70 port input/interrupt	Output disable	3.0 to 5.5	V_{SS}		$0.1V_{DD} + 0.4$	
	$V_{IL}(3)$	Port 87 small signal input	Output disable	3.0 to 5.5	V_{SS}		$0.25V_{DD}$	
	$V_{IL}(4)$	Port 70 Watchdog timer	Output disable	3.0 to 5.5	V_{SS}		$0.8V_{DD} - 1.0$	
	$V_{IL}(5)$	XT1, XT2, CF1, $\overline{\text{RES}}$		3.0 to 5.5	V_{SS}		$0.25V_{DD}$	
Operation cycle time	tCYC			4.5 to 5.5	0.294		200	μs
				3.0 to 5.5	0.735		200	
External system clock frequency	FEXCF(1)	CF1	• CF2 open • System clock divider : 1/1	4.5 to 5.5	0.1		10	MHz
			• External clock DUTY = 50 \pm 5%	3.0 to 5.5	0.1		4	
			• CF2 open • System clock divider : 1/2	4.5 to 5.5	0.2		20	
				3.0 to 5.5	0.2		8	
Oscillation frequency range (Note 1)	FmCF(1)	CF1, CF2	10MHz ceramic resonator oscillation Refer to figure 1	4.5 to 5.5		10		
	FmCF(2)	CF1, CF2	4MHz ceramic resonator oscillation Refer to figure 1	3.0 to 5.5		4		
	FmRC		RC oscillation	3.0 to 5.5	0.3	1.0	2.0	
	FmMRC		Frequency variable RC oscillation source oscillation	3.0 to 5.5		50		
	FsX'tal	XT1, XT2	32.768kHz crystal resonator oscillation Refer to figure 2	3.0 to 5.5		32.768		kHz

Note 1 : The parts value of oscillation circuit is shown in table 1 and table 2.

LC87F74C8A

Electrical Characteristics / Ta = -20°C to +70°C, VSS1 = VSS2 = VSS3 = 0V

Parameter	Symbol	Pins	Conditions	Limits				
				VDD [V]	min	typ	max	unit
High level input current	I _{IH} (1)	• Port 0, 1, 3, 7, 8 • Port A, B, C, D, E, F, L	• Output disabled • Pull-up resistor OFF. • V _{IN} = V _{DD} (Including OFF state leak current of the output Tr.)	3.0 to 5.5			1	μA
	I _{IH} (2)	RES	V _{IN} = V _{DD}	3.0 to 5.5			1	
	I _{IH} (3)	XT1, XT2	When configured as an input port V _{IN} = V _{DD}	3.0 to 5.5			1	
	I _{IH} (4)	CF1	V _{IN} = V _{DD}	3.0 to 5.5			15	
	I _{IH} (5)	P87/AN7/MICIN small signal input	V _{IN} = VBIS+0.5V (VBIS : Bias voltage)	3.0 to 5.5	4.2	8.5	15	
Low level input current	I _{IL} (1)	• Port 0, 1, 3, 7, 8 • Port A, B, C, D, E, F, L	• Output disabled • Pull-up resistor OFF. • V _{IN} = V _{SS} (Including OFF state leak current of the output Tr.)	3.0 to 5.5	-1			μA
	I _{IL} (2)	RES	V _{IN} = V _{SS}	3.0 to 5.5	-1			
	I _{IL} (3)	XT1, XT2	When configured as an input port V _{IN} = V _{SS}	3.0 to 5.5	-1			
	I _{IL} (4)	CF1	V _{IN} = V _{SS}	3.0 to 5.5	-15			
	I _{IL} (5)	P87/AN7/MICIN small signal input	V _{IN} = VBIS-0.5V (VBIS : Bias voltage)	3.0 to 5.5	-15	-8.5	-4.2	
High level output voltage	V _{OH} (1)	Port 0, 1, 3, CMOS output option	I _{OH} = -1.0mA	4.5 to 5.5	V _{DD} -1			V
	V _{OH} (2)		I _{OH} = -0.1mA	3.0 to 5.5	V _{DD} -0.5			
	V _{OH} (3)	Port 7	I _{OH} = -0.4mA	3.0 to 5.5	V _{DD} -1			
	V _{OH} (4)	Port A, B, C, D, E, F	I _{OH} = -1.0mA	4.5 to 5.5	V _{DD} -1			
	V _{OH} (5)		I _{OH} = -0.1mA	3.0 to 5.5	V _{DD} -0.5			
Low level output voltage	V _{OL} (1)	Port 0, 1, 3	I _{OL} = 10mA	4.5 to 5.5			1.5	V
	V _{OL} (2)		I _{OL} = 1.6mA	3.0 to 5.5			0.4	
	V _{OL} (3)	Port 30, 31	I _{OL} = 30mA	4.5 to 5.5			1.5	
	V _{OL} (4)	Port 7, 8	I _{OL} = 1mA	4.5 to 5.5			0.4	
	V _{OL} (5)		I _{OL} = 0.5mA	3.0 to 5.5			0.4	
	V _{OL} (6)	Port A, B, C, D, E, F	I _{OL} = 8mA	4.5 to 5.5			1.5	
	V _{OL} (7)		I _{OL} = 1.4mA	3.0 to 5.5			0.4	
LCD output voltage regulation	VODLS	S0 to S47	I _O = 0mA VLCD, 2/3VLCD, 1/3VLCD level output Refer to figure 8	3.0 to 5.5	0		± 0.2	V
	VODLC	COM0 to COM3	I _O = 0mA VLCD, 2/3VLCD, 1/2VLCD 1/3VLCD level output Refer to figure 8	3.0 to 5.5	0		± 0.2	
LCD bias resistor	RLCD(1)	Resistance per one bias resistor	Refer to figure 8	3.0 to 5.5		60		kΩ
	RLCD(2)	• Resistance per one bias resistor • 1/2R mode	Refer to figure 8	3.0 to 5.5		30		
Resistance of pull-up MOS Tr.	Rpu	• Port 0, 1, 3, 7 • Port A, B, C, D, E, F	V _{OH} = 0.9V _{DD}	4.5 to 5.5	15	40	70	V
				3.0 to 5.5	25	70	150	
Hysteresis voltage	VHIS(1)	• Port 1, 7 • RES		3.0 to 5.5		0.1V _{DD}		V
	VHIS(2)	Port 87 small signal input		3.0 to 5.5		0.1V _{DD}		

Continued on next page.

LC87F74C8A

Continued from preceding page.

Parameter	Symbol	Pins	Conditions	Limits				
				V _{DD} [V]	min	typ	max	unit
Pin capacitance	CP	All pins	<ul style="list-style-type: none"> All other terminals connected to V_{SS}. f = 1MHz T_a = 25°C 	3.0 to 5.5		10		pF
Input sensitivity	V _{sen}	Port 87 small signal input		3.0 to 5.5	0.12V _{DD}			Vp-p

Serial Input/Output Characteristics / T_a = -20°C to +70°C, V_{SS1} = V_{SS2} = V_{SS3} = 0V

Parameter	Symbol	Pins	Conditions	Limits					
				V _{DD} [V]	min	typ	max	unit	
Serial clock	Input clock	SCK0 (P12)	Refer to figure 6	3.0 to 5.5				tCYC	
					Cycle time	tSCK(1)	4/3		
					Low level pulse width	tSCKL(1)	2/3		
						tSCKLA(1)	2/3		
					High level pulse width	tSCKH(1)	2/3		
						tSCKHA(1)	3		
	Output clock	SCK1 (P15)	Refer to figure 6	3.0 to 5.5				tCYC	
					Cycle time	tSCK(2)	2		
					Low level pulse width	tSCKL(2)	1		
						tSCKLA(2)	1		
					High level pulse width	tSCKH(2)	1		
						tSCKHA(2)	2		
Serial input	SCK0 (P12)	<ul style="list-style-type: none"> CMOS output Refer to figure 6 	3.0 to 5.5				tSCK		
				Cycle time	tSCK(3)	4/3			
				Low level pulse width	tSCKL(3)	1/2			
					tSCKLA(2)	3/4			
				High level pulse width	tSCKH(3)	1/2			
					tSCKHA(2)	2			
Serial output	SCK1 (P15)	<ul style="list-style-type: none"> CMOS output Refer to figure 6 	3.0 to 5.5				tSCK		
				Cycle time	tSCK(4)	2			
				Low level pulse width	tSCKL(4)	1/2			
					tSCKLA(4)	1/2			
				High level pulse width	tSCKH(4)	1/2			
					tSCKHA(4)				
Serial input	Data set-up time	SIO (P11), S11 (P14), SB0 (P11), SB1 (P14)	<ul style="list-style-type: none"> Measured with respect to SIOCLK leading edge. Refer to figure 6 	4.5 to 5.5	0.03		μs		
				3.0 to 5.5	0.1				
				4.5 to 5.5	0.03				
				3.0 to 5.5	0.1				
Serial output	Data hold time	SIO (P11), S11 (P14), SB0 (P11), SB1 (P14)	<ul style="list-style-type: none"> Measured with respect to SIOCLK leading edge. Refer to figure 6 	4.5 to 5.5			μs		
				3.0 to 5.5					
Serial output	Output delay time	SO0 (P10), SO1 (P13), SB0 (P11), SB1 (P14)	<ul style="list-style-type: none"> When Port is open drain : Time delay from SIOCLK trailing edge to the SO data change Refer to figure 6 	4.5 to 5.5		1/3 tCYC +0.05	μs		
				3.0 to 5.5		1/3 tCYC +0.25			

LC87F74C8A

Pulse Input Conditions / Ta = -20°C to +70°C, VSS1 = VSS2 = VSS3 = 0V

Parameter	Symbol	Pins	Conditions	Limits				
				V _{DD} [V]	min	typ	max	unit
High/low level pulse width	tPIH(1) tPIL(1)	INT0 (P70), INT1 (P71), INT2 (P72) INT4 (P30 to P33) INT5 (P34 to P35)	<ul style="list-style-type: none"> Condition that interrupt is accepted Condition that event input to timer 0 is accepted 	3.0 to 5.5	1			tCYC
	tPIH(2) tPIL(2)	INT3 (P73) (Noise rejection ratio is 1/1.)	<ul style="list-style-type: none"> Condition that interrupt is accepted Condition that event input to timer 0 is accepted 	3.0 to 5.5	2			
	tPIH(3) tPIL(3)	INT3 (P73) (Noise rejection ratio is 1/32.)	<ul style="list-style-type: none"> Condition that interrupt is accepted Condition that event input to timer 0 is accepted 	3.0 to 5.5	64			
	tPIH(4) tPIL(4)	INT3 (P73) (Noise rejection ratio is 1/128.)	<ul style="list-style-type: none"> Condition that interrupt is accepted Condition that event input to timer 0 is accepted 	3.0 to 5.5	256			
	tPIL(5) tPIL(5)	MICIN (P87)	<ul style="list-style-type: none"> Condition that signal is accepted to small signal detection counter. 	3.0 to 5.5	1			
	tPIL(6)	$\overline{\text{RES}}$	<ul style="list-style-type: none"> Condition that reset is accepted 	3.0 to 5.5	200			μs

AD Converter Characteristics / Ta = -20°C to +70°C, VSS1 = VSS2 = VSS3 = 0V

Parameter	Symbol	Pins	Conditions	Limits				
				V _{DD} [V]	min	typ	max	unit
Resolution	N	AN0 (P80) to AN7 (P87) AN8 (P70) AN9 (P71) AN10 (XT1) AN11 (XT2) AN12 (V1) AN13 (V2) AN14 (V3)		3.0 to 5.5		8		bit
Absolute precision	ET		(Note 2)	3.0 to 5.5			±1.5	LSB
Conversion time	tCAD		AD conversion time = 32 × tCYC (ADCR2 = 0) (Note 3)	4.0 to 5.5	15.62 (tCYC = 0.488μs)		97.92 (tCYC = 3.06μs)	μs
				3.0 to 5.5	23.52 (tCYC = 0.735μs)		97.92 (tCYC = 3.06μs)	
				4.5 to 5.5	18.82 (tCYC = 0.294μs)		97.92 (tCYC = 1.53μs)	
				3.0 to 5.5	47.04 (tCYC = 0.735μs)		97.92 (tCYC = 1.53μs)	
Analog input voltage range	VAIN			3.0 to 5.5	V _{SS}		V _{DD}	V
Analog port input current	I _{AINH}	VAIN = V _{DD}	3.0 to 5.5			1	μA	
	I _{AINL}	VAIN = V _{SS}	3.0 to 5.5	-1				

Note 2 : Absolute precision does not include quantizing error (±1/2 LSB).

Note 3 : Conversion time means time from executing AD conversion instruction to loading complete digital value to register.

LC87F74C8A

Current Dissipation Characteristics / $T_a = -20^{\circ}\text{C}$ to $+70^{\circ}\text{C}$, $V_{SS1} = V_{SS2} = V_{SS3} = 0\text{V}$

Parameter	Symbol	Pins	Conditions	Limits				unit
				V_{DD} [V]	min	typ	max	
Current consumption during normal operation (Note 4)	IDDOP(1)	$V_{DD1} =$ $V_{DD2} =$ V_{DD3}	<ul style="list-style-type: none"> • FmCF = 10MHz Ceramic resonator oscillation • FsX'tal = 32.768kHz crystal oscillation • System clock : CF 10MHz oscillation • Frequency variable RC oscillation stopped • Internal RC oscillation stopped. • Divider : 1/1 	4.5 to 5.5		16	35	mA
	IDDOP(2)		<ul style="list-style-type: none"> • CF1 = 20MHz external clock • FsX'tal = 32.768kHz crystal oscillation • System clock : CF1 oscillation • Internal RC oscillation stopped. • Frequency variable RC oscillation stopped • Divider : 1/2 	4.5 to 5.5		17	36	
	IDDOP(3)		<ul style="list-style-type: none"> • FmCF = 4MHz Ceramic resonator oscillation • FsX'tal = 32.768kHz crystal oscillation • System clock : CF 4MHz oscillation 	4.5 to 5.5		7	21	
	IDDOP(4)		<ul style="list-style-type: none"> • Internal RC oscillation stopped. • Frequency variable RC oscillation stopped • Divider : 1/1 	3.0 to 4.5		3	13	
	IDDOP(5)		<ul style="list-style-type: none"> • FmCF = 0Hz (No oscillation) • FsX'tal = 32.768kHz crystal oscillation • Frequency variable RC oscillation stopped 	4.5 to 5.5		1.5	11	
	IDDOP(6)		<ul style="list-style-type: none"> • System clock : RC oscillation • Divider : 1/2 	3.0 to 4.5		0.8	7	
	IDDOP(7)		<ul style="list-style-type: none"> • FmCF = 0Hz (No oscillation) • FsX'tal = 32.768kHz crystal oscillation • Internal RC oscillation stopped. 	4.5 to 5.5		2.5	13	
	IDDOP(8)		<ul style="list-style-type: none"> • System clock : 1MHz with frequency variable RC oscillation • Divider : 1/2 	3.0 to 4.5		1.8	9	
	IDDOP(9)		<ul style="list-style-type: none"> • FmCF = 0Hz (No oscillation) • FsX'tal = 32.768kHz crystal oscillation • System clock : 32.768kHz 	4.5 to 5.5		80	450	
	IDDOP(10)		<ul style="list-style-type: none"> • Internal RC oscillation stopped. • Frequency variable RC oscillation stopped • Divider : 1/2 	3.0 to 4.5		35	250	
Current consumption during HALT mode (Note 4)	IDDHALT(1)	$V_{DD1} =$ $V_{DD2} =$ V_{DD3}	HALT mode <ul style="list-style-type: none"> • FmCF = 10MHz Ceramic resonator oscillation • FsX'tal = 32.768kHz crystal oscillation • System clock : CF 10MHz oscillation • Internal RC oscillation stopped. • Frequency variable RC oscillation stopped • Divider : 1/1 	4.5 to 5.5		4.6	12	mA
	IDDHALT(2)		HALT mode <ul style="list-style-type: none"> • CF1 = 20MHz external clock • FsX'tal = 32.768kHz crystal oscillation • System clock : CF1 oscillation • Internal RC oscillation stopped. • Frequency variable RC oscillation stopped • Divider : 1/2 	4.5 to 5.5		5.1	13	
	IDDHALT(3)		HALT mode <ul style="list-style-type: none"> • FmCF = 4MHz ceramic resonator oscillation • FsX'tal = 32.768kHz crystal oscillation • System clock : CF 4MHz oscillation 	4.5 to 5.5		2.2	6	
	IDDHALT(4)		<ul style="list-style-type: none"> • Internal RC oscillation stopped. • Frequency variable RC oscillation stopped • Divider : 1/1 	3.0 to 4.5		1.0	5	

Continued on next page.

LC87F74C8A

Continued from preceding page.

Parameter	Symbol	Pins	Conditions	Limits				
				V _{DD} [V]	min	typ	max	unit
Current consumption during HALT mode (Note 4)	IDDHALT(5)	V _{DD1} = V _{DD2} = V _{DD3}	HALT mode • FmCF = 0Hz (Oscillation stop) • FsX'tal = 32.768kHz crystal oscillation • System clock : RC oscillation • Frequency variable RC oscillation stopped • Divider : 1/2	4.5 to 5.5		600	1600	μA
	IDDHALT(6)			3.0 to 4.5		350	1300	
	IDDHALT(7)		HALT mode • FmCF = 0Hz (No oscillation) • FsX'tal = 32.768kHz crystal oscillation • Internal RC oscillation stopped. • System clock : 1MHz with frequency variable RC oscillation • Divider : 1/2	4.5 to 5.5		1500	3600	
	IDDHALT(8)			3.0 to 4.5		1250	3300	
	IDDHALT(9)		HALT mode • FmCF = 0Hz (Oscillation stop) • FsX'tal = 32.768kHz crystal oscillation • System clock : 32.768kHz • Internal RC oscillation stopped. • Frequency variable RC oscillation stopped • Divider : 1/2	4.5 to 5.5		25	100	
	IDDHALT(10)			3.0 to 4.5		12	60	
Current consumption during HOLD mode	IDDHOLD(1)	V _{DD1}	HOLD mode • CF1 = V _{DD} or open (when using external clock)	4.5 to 5.5		0.1	25	μA
	IDDHOLD(2)			3.0 to 4.5		0.03	20	
Current consumption during Date/time clock HOLD mode	IDDHOLD(3)	V _{DD1}	Date/time clock HOLD mode • CF1 = V _{DD} or open (when using external clock) • FmX'tal = 32.768kHz crystal oscillation	4.5 to 5.5		20	90	
	IDDHOLD(4)			3.0 to 4.5		8	50	

Note 4 : The currents through the output transistors and the pull-up MOS transistors are ignored.

F-ROM Write Characteristics / Ta = +10°C to +55°C, V_{SS1} = V_{SS2} = V_{SS3} = 0V

Parameter	Symbol	Pins	Conditions	Limits				
				V _{DD} [V]	min	typ	max	unit
On-board write current	IDDF(1)	V _{DD1}	• 128-byte write • Including erase current	4.5 to 5.5		30	65	mA
Write cycle time	tFW(1)		• 128-byte write • Including erase current • Not including time to prepare 128-byte data	4.5 to 5.5		6.3	9	mS

Main System Clock Oscillation Circuit Characteristics

The characteristics in the table below is based on the following conditions :

1. Use the standard evaluation board SANYO has provided.
2. Use the peripheral parts with indicated value externally.
3. The peripheral parts value is a recommended value of oscillator manufacturer

Table 1. Main system clock oscillation circuit characteristics using ceramic resonator

Frequency	Manufacturer	Oscillator	Circuit parameters			Operating supply voltage range [V]	Oscillation stabilizing time		Notes
			C1 [pF]	C2 [pF]	Rd1 [Ω]		typ [mS]	max [mS]	
10MHz	Murata	CSTCE10M0G52-R0	(10)	(10)	220	4.5 to 5.5	0.05	0.15	Built-in C1, C2
		CSTLS10M0G53-B0	(10)	(10)	220	4.5 to 5.5	0.05	0.15	Built-in C1, C2
4MHz	Murata	CSTCR4M00G53-R0	(15)	(15)	1k	3.0 to 5.5	0.05	0.15	Built-in C1, C2
		CSTLS4M00G53-B0	(15)	(15)	470	3.0 to 5.5	0.05	0.15	Built-in C1, C2

The oscillation stabilizing time is a period until the oscillation becomes stable after V_{DD} becomes higher than minimum operating voltage. (Refer to Figure 4)

Subsystem Clock Oscillation Circuit Characteristics

The characteristics in the table below is based on the following conditions :

1. Use the standard evaluation board SANYO has provided.
2. Use the peripheral parts with indicated value externally.
3. The peripheral parts value is a recommended value of oscillator manufacturer

Table 2. Subsystem clock oscillation circuit characteristics using crystal oscillator

Frequency	Manufacturer	Oscillator	Circuit parameters				Operating supply voltage range [V]	Oscillation stabilizing time		Notes
			C3 [pF]	C4 [pF]	Rf [Ω]	Rd2 [Ω]		typ [S]	max [S]	
32.768kHz	SEIKO EPSON	MC-306	18	18	OPEN	560k	3.0 to 5.5	1.553	3.00	

The oscillation stabilizing time is a period until the oscillation becomes stable after executing the instruction which starts the sub-clock oscillation or after releasing the HOLD mode. (Refer to Figure 4)

Notes : Since the circuit pattern affects the oscillation frequency, place the oscillation-related parts as close to the oscillation pins as possible with the shortest possible pattern length.

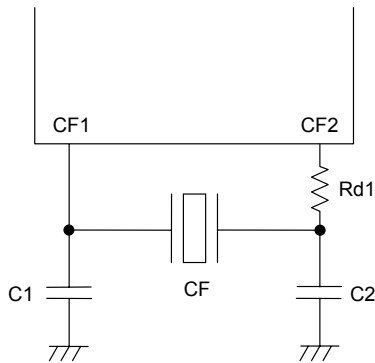


Figure 1 Ceramic oscillation circuit

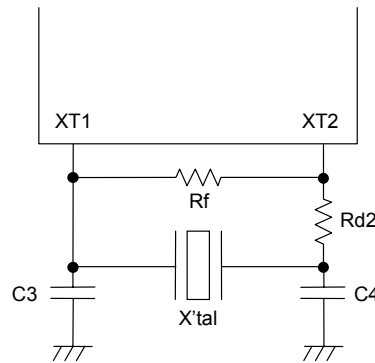


Figure 2 Crystal oscillation circuit

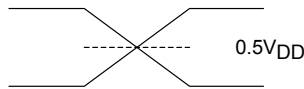
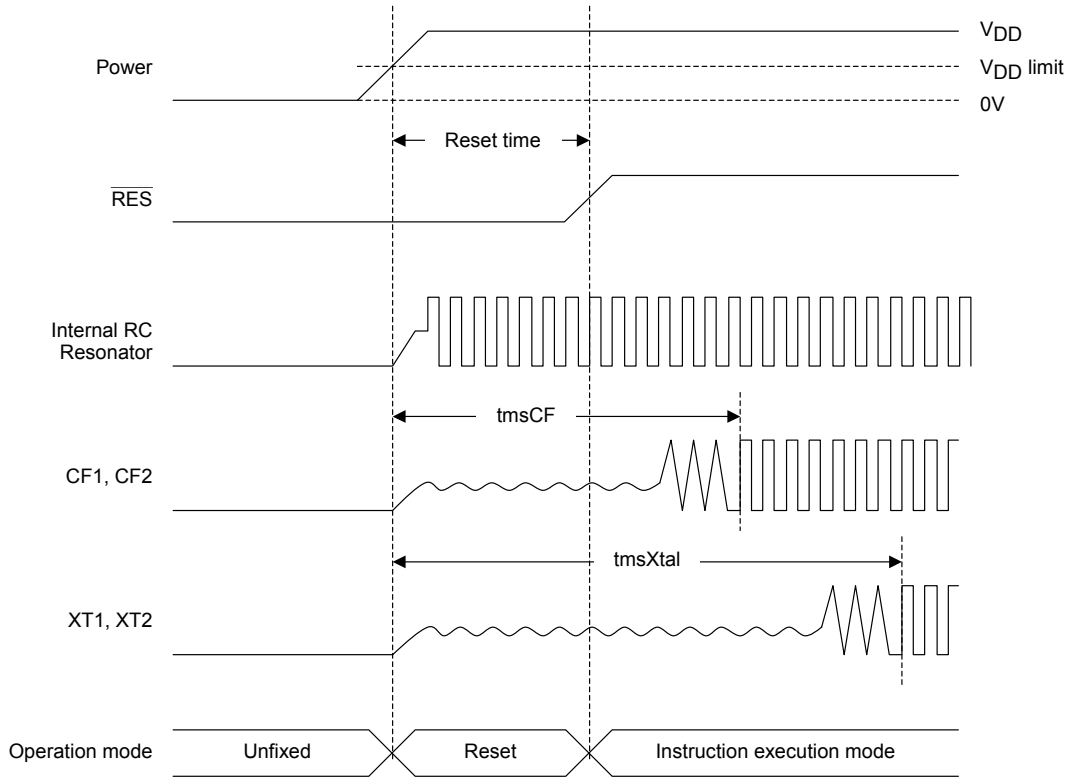
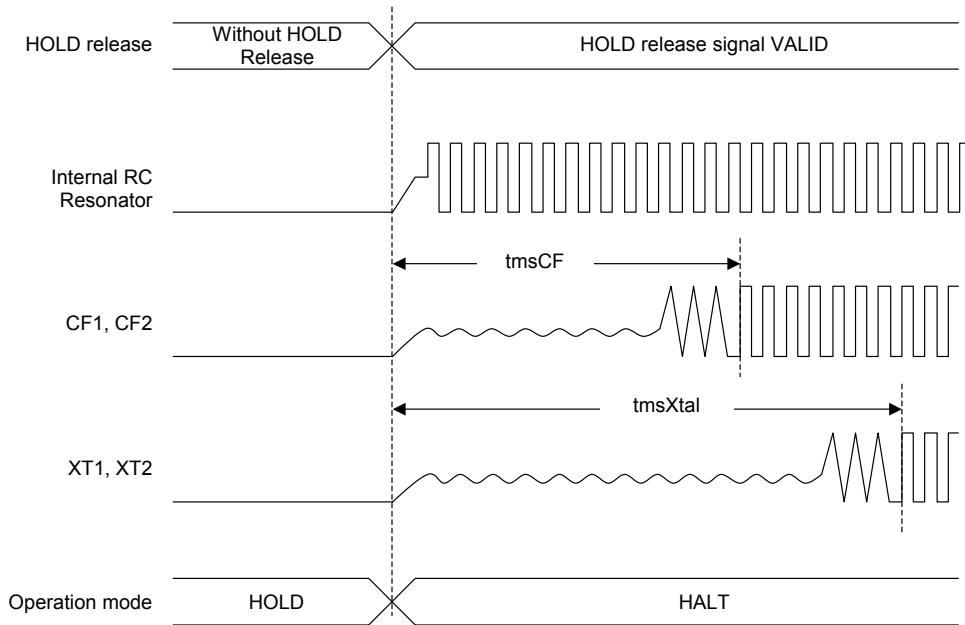


Figure 3 AC timing measurement point

LC87F74C8A



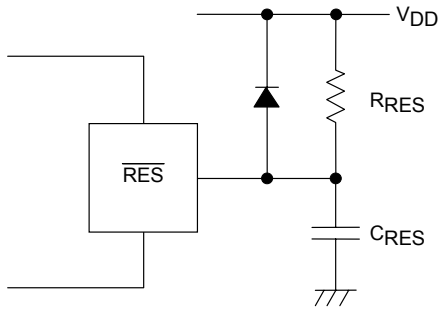
Reset time and oscillation stable time



HOLD release signal and oscillation stable time

Figure 4 Oscillation stabilizing time

LC87F74C8A



(Note)
 Select C_{RES} and R_{RES} value to assure that at least $200\mu s$ reset time is generated after the V_{DD} becomes higher than the minimum operating voltage.

Figure 5 Reset circuit

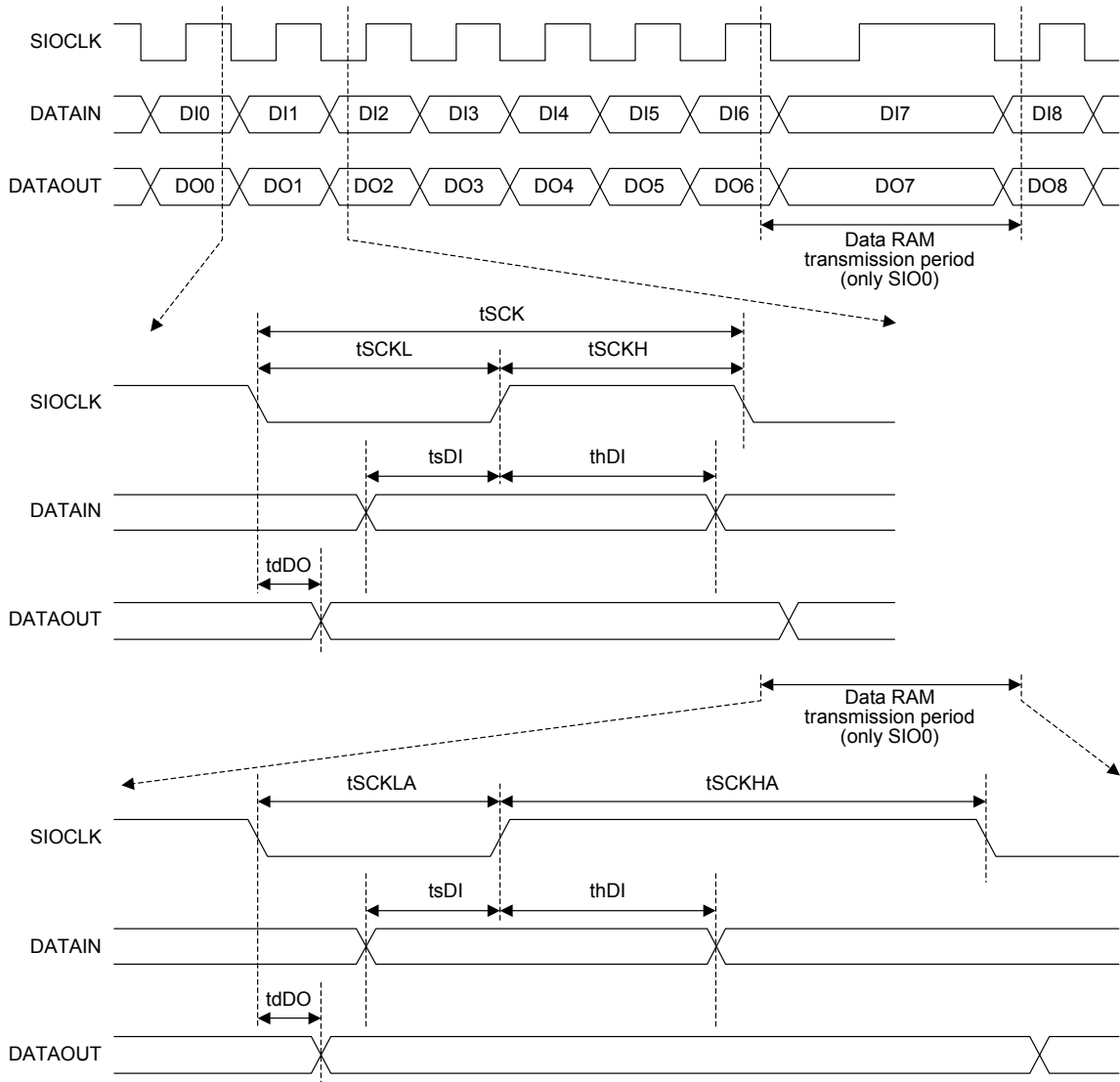


Figure 6 Serial input/output wave form

LC87F74C8A

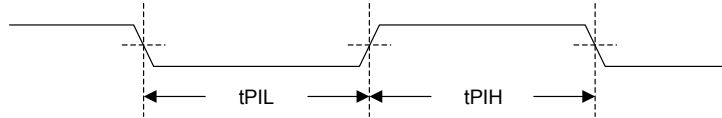


Figure 7 Pulse input timing

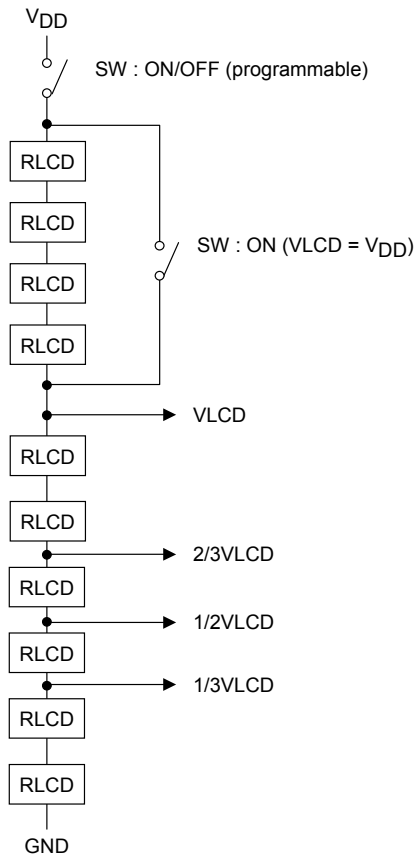


Figure 8 LCD bias resistor

- Specifications of any and all SANYO products described or contained herein stipulate the performance, characteristics, and functions of the described products in the independent state, and are not guarantees of the performance, characteristics, and functions of the described products as mounted in the customer's products or equipment. To verify symptoms and states that cannot be evaluated in an independent device, the customer should always evaluate and test devices mounted in the customer's products or equipment.
- SANYO Electric Co., Ltd. strives to supply high-quality high-reliability products. However, any and all semiconductor products fail with some probability. It is possible that these probabilistic failures could give rise to accidents or events that could endanger human lives, that could give rise to smoke or fire, or that could cause damage to other property. When designing equipment, adopt safety measures so that these kinds of accidents or events cannot occur. Such measures include but are not limited to protective circuits and error prevention circuits for safe design, redundant design, and structural design.
- In the event that any or all SANYO products (including technical data, services) described or contained herein are controlled under any of applicable local export control laws and regulations, such products must not be exported without obtaining the export license from the authorities concerned in accordance with the above law.
- No part of this publication may be reproduced or transmitted in any form or by any means, electronic or mechanical, including photocopying and recording, or any information storage or retrieval system, or otherwise, without the prior written permission of SANYO Electric Co., Ltd.
- Any and all information described or contained herein are subject to change without notice due to product/technology improvement, etc. When designing equipment, refer to the "Delivery Specification" for the SANYO product that you intend to use.
- Information (including circuit diagrams and circuit parameters) herein is for example only ; it is not guaranteed for volume production. SANYO believes information herein is accurate and reliable, but no guarantees are made or implied regarding its use or any infringements of intellectual property rights or other rights of third parties.

This catalog provides information as of August, 2004. Specifications and information herein are subject to change without notice.